

The universal machine for all grinding requirements in new construction and Maintenance of railways.

ITS BENEFITS. YOUR BENEFITS.

Flexible and easy

- Patented, modular rail guiding system for rails and switches
- Easy change of cup wheel, due to quicklock
- Wide range of use brings high economic efficiency and cost savings

Controlled and accurate

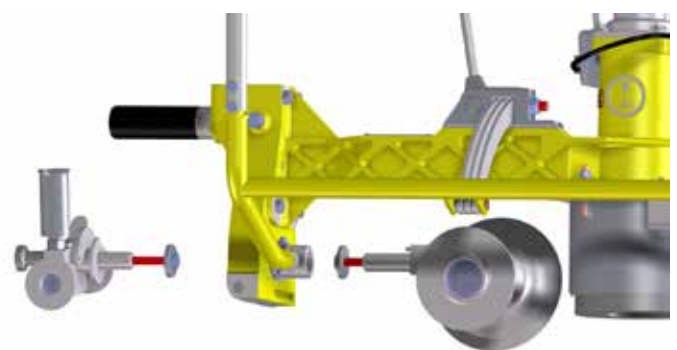
- Digital engine hour counter / tachometer
- Individual adjustable of the turning resistance on spindle handwheel
- Universal use for all common rail types, thanks to adjustable distance of guide wheel to rail

Individual

- Selection from Right-hand and Left-hand versions
- Adaptable to the operator
- Tilting handle mounted on the left or the right side of the machine, in working direction.



TECHNICAL SPECIFICATIONS	ROGRIND P4 2.0	ROGRIND P2 2.0	ROGRIND E 2.0	ROGRIND D 2.0
Drive	4-stroke petrol engine	2-stroke petrol engine	Electric motor, 3-phase	air-cooled diesel engine
Type	ROBEL 190	Minssel M165	400 V, 50 Hz	Yanmar L48AE-S
Output	5 kW at 4200 rpm	4.9 kW at 4500 rpm	2.7 kW at 2850 rpm	3.5 kW at 3600 rpm
Roller spacing	1000 mm			1000 mm
Depth adjustment of grinding spindle	continuously adjustable 0 – 70 mm			0 – 70 mm
Dimension (L x W x H)	1376 x 530 x 840 mm			1375 x 660 x 880 mm
Total weight	~61 kg	~61 kg	~62 kg	~75 kg



Patented, modular rail guiding system

ACCESSORIES

9002000687	dia. 125 mm Central nut holder M20, max. circumferential speed 50 m/s, 125 x 65, grit size A12	8931002007	Centring nut, hardware for steel wire brush
9002000690	dia. 150 mm, Central nut holder M20, max. circumferential speed 50 m/s, 150 x 65, grit size A14	9000200182	Steel wire brush (plaited) Steel wire brush e.g. for derusting rails (do not use without centring nut)
9878081000	Cup wheel dia. 90 mm conical, for frog noses and switches, central nut holder M20 (also suitable for the running surface of grooved rails), circumferential speed max. 50 m/s, 90 x 65, grit size A14	8444150140	Spark safety hood, foldable, to catch flying sparks
9002000330	dia. 90 mm cylindrical for built-up welds, central nut holder M20	8449900035	Extra handle, located centrally on the fan housing of the drive motor, improves the guidance and ergonomics for all grinding tasks. Supplied as an assembly kit with instructions. Simple installation using three screws.

Grinding wheels	for railhead width up to 75 mm	for railhead width up to 120 mm (optional)	cup wheel for frog grinding (optional)
Outside diameter	125 mm	150 mm	90 mm
Inside Diameter	56 mm	55 mm	55 mm
Height	65 mm	60 mm	65 mm
Permissible speed	7640 rpm	6350 rpm	10600 rpm